

UNLESS OTHERWISE SPECIFIED:
 DIMENSIONS ARE IN MILLIMETERS
 SURFACE FINISH:
 TOLERANCES: ± 0.10
 LINEAR: ± 0.10
 ANGULAR: ± 0.20

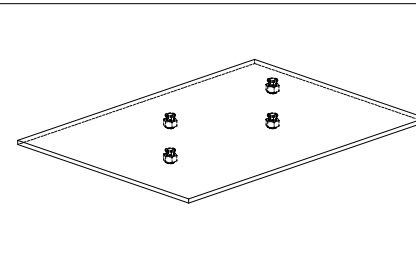
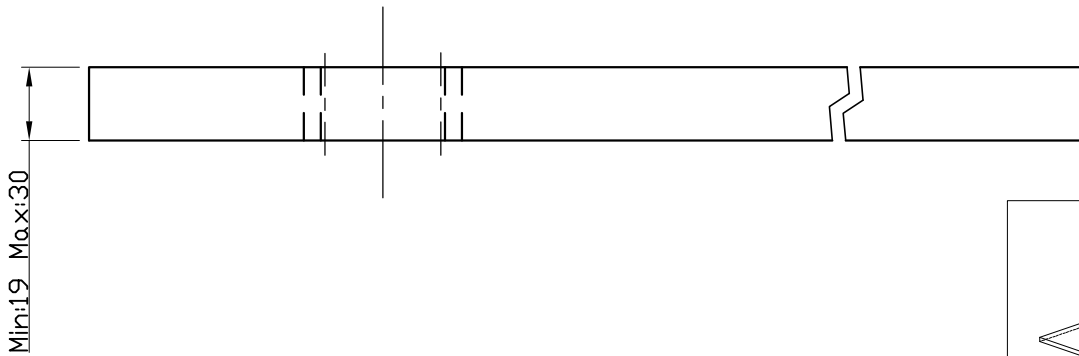
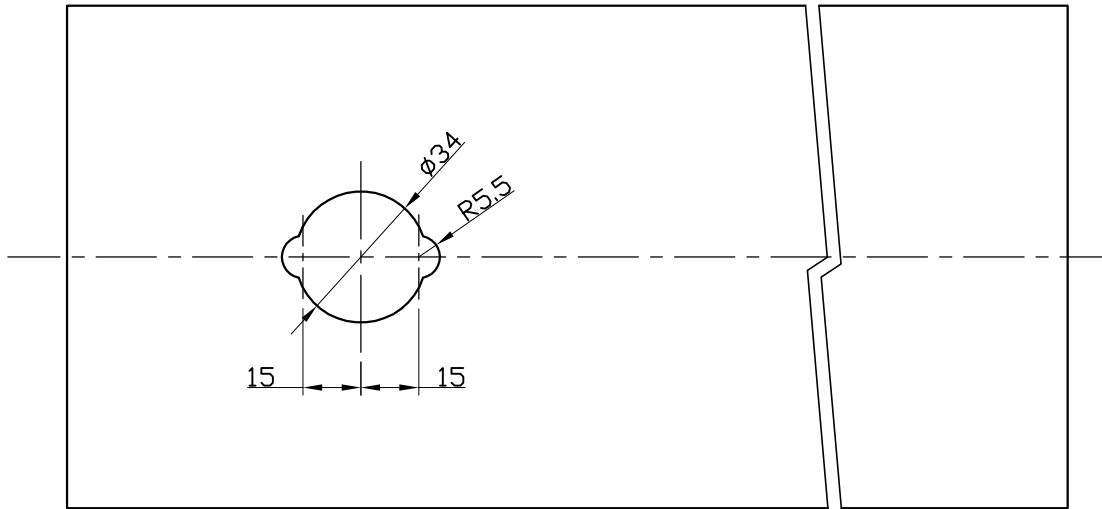
Plinth production
 drawing for Point 12

Product No.		N / A	
Material			
DWN	MZ	Date	2014.02.07
CHK	KL	Date	2014.02.07

VER NO.	002	Sheet	01 of 01	
Scale	FIT	Unit	m m	
w w w . c u b i c . c o				



Drawing NO.: 008.0047
 ©All rights reserved



UNLESS OTHERWISE SPECIFIED:
 DIMENSIONS ARE IN MILLIMETERS
 SURFACE FINISH:
 TOLERANCES: ± 0.10
 LINEAR: ± 0.10
 ANGULAR: ± 0.20

Plinth production drawing for Point 25				Product No.		N / A	
				Material			
DWN	MZ	Date	2014.02.07				
CHK	KL	Date	2014.02.07				
VER NO.	001	Sheet	01 of 01				
Scale	FIT	Unit	m m				
w w w . c u b i c . c o							

Drawing NO.: 008.0051
 ©All rights reserved