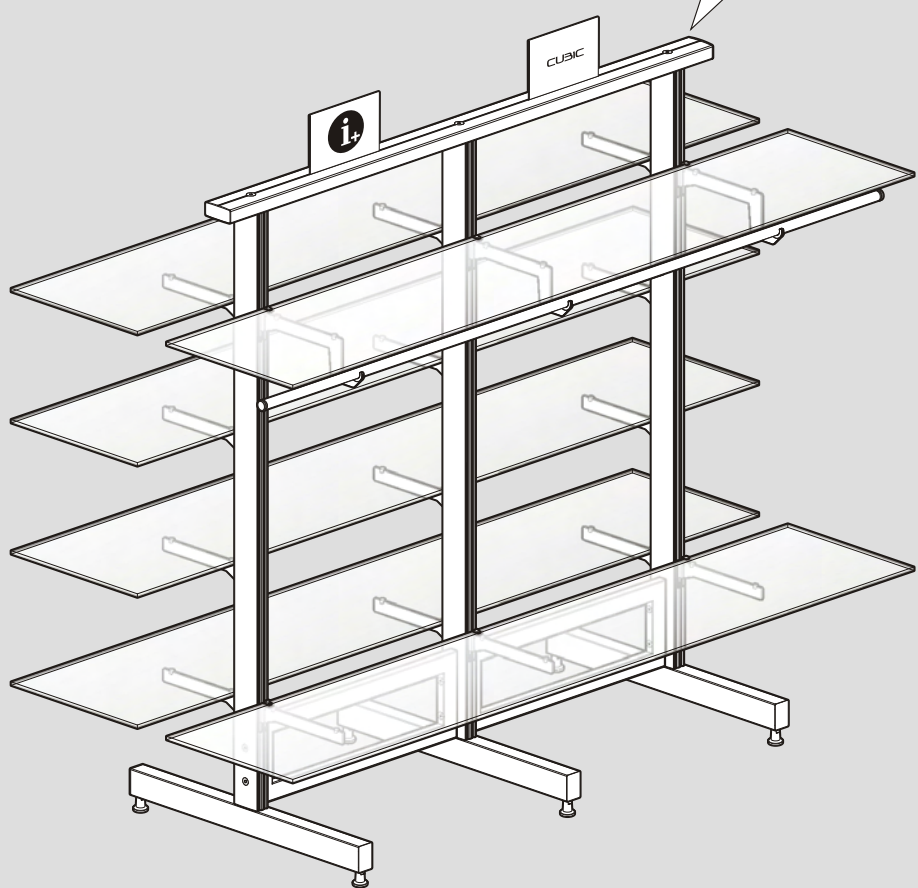
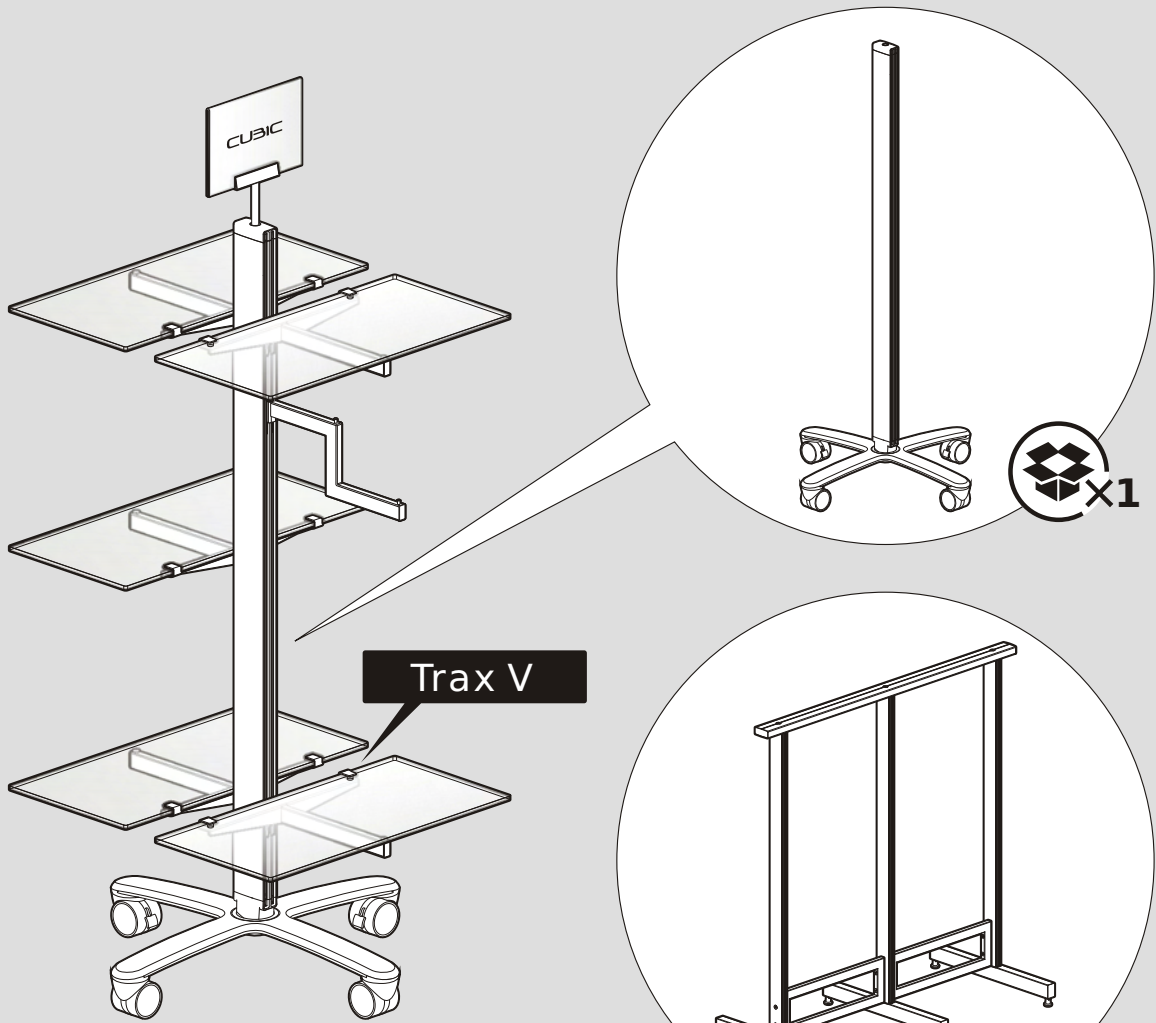
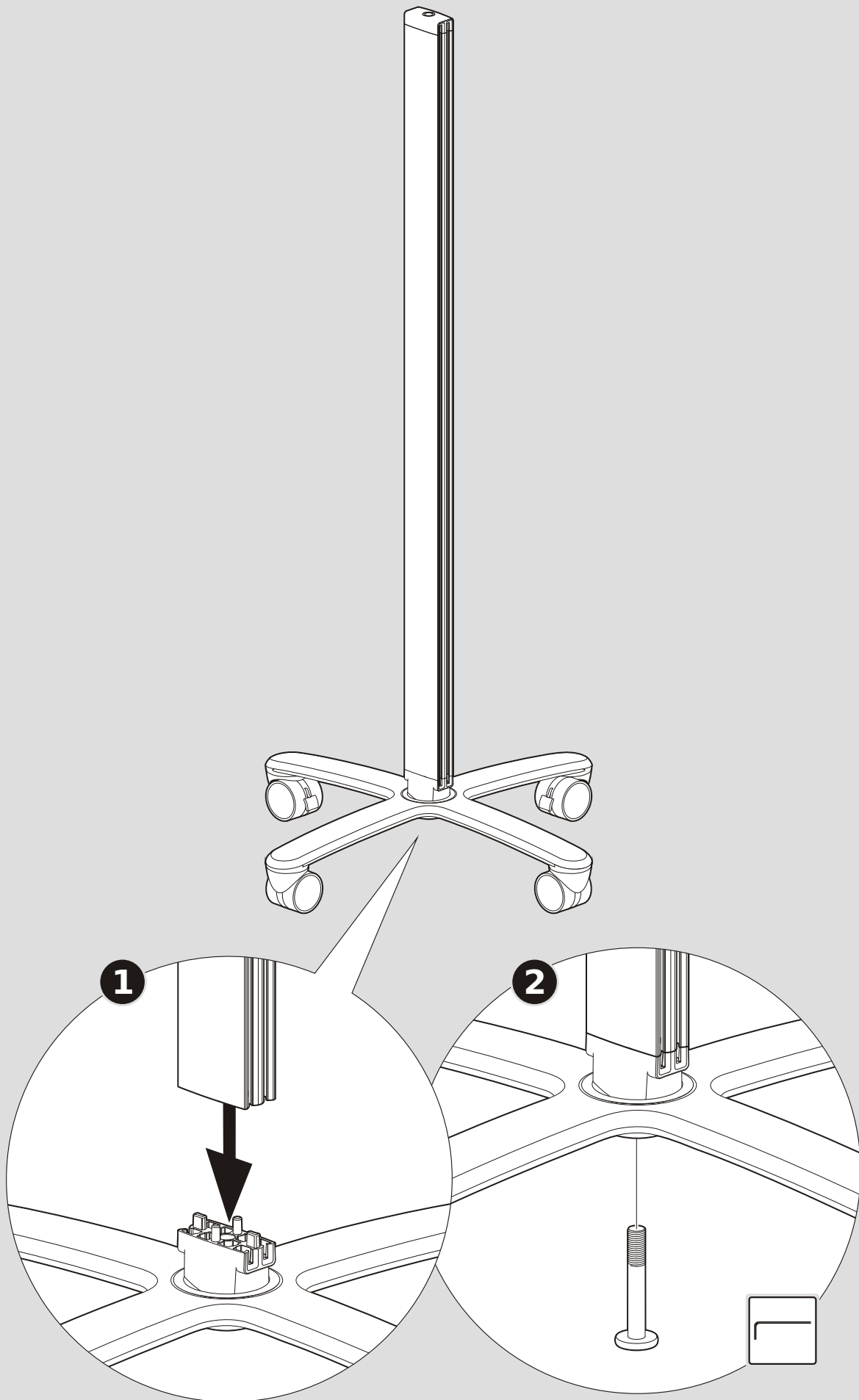
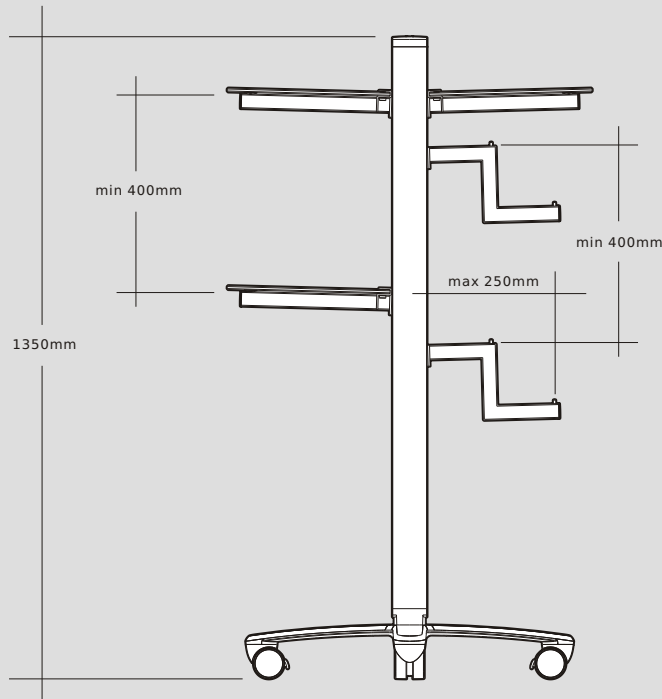




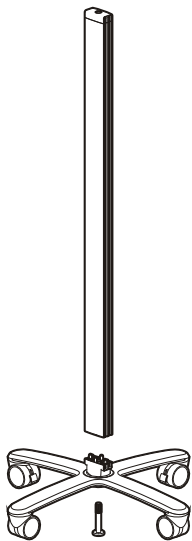
Linx+ is a mobile mid-floor display stand for merchandising goods on shelves, display arms and other Trax V4 dual accessories. The dual vertical slotted upright is delivered with the ever stable die cast base, or with multiple uprights on a sturdy solid base.







**kg <15kg**  
Per arm/shelf



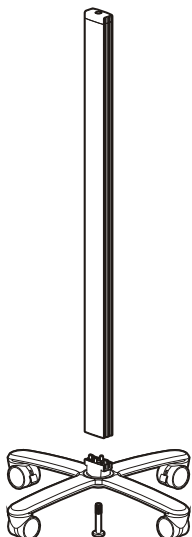
**Linx+ upright with cast base (A)**  
000 no finish specified



upright finish:  
011 anodised  
  
base finish:  
060 machined upper/black lower

**Package Contains:**  
1×upright  
1×base  
4×caster  
1×upright screw

PR-LP-300



**Linx+ upright with cast base (B)**  
000 no finish specified

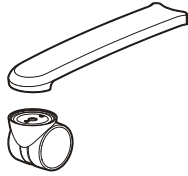


upright finish:  
011 anodised  
  
base finish:  
061 black upper/matt silver lower

**Package Contains:**  
1×upright  
1×base  
4×caster  
1×upright screw

PR-LP-301

Linx+ single upright with base



**X4**

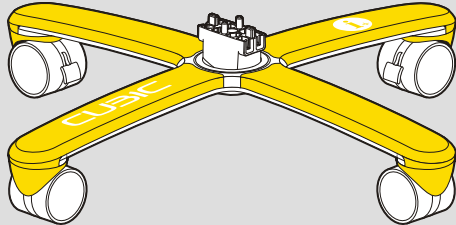
Customised upper insert & caster PR-RA-114

**Cast base (B) upper insert & caster**

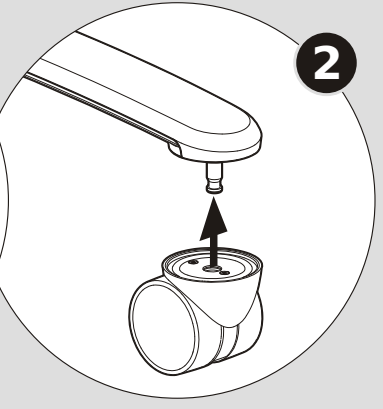
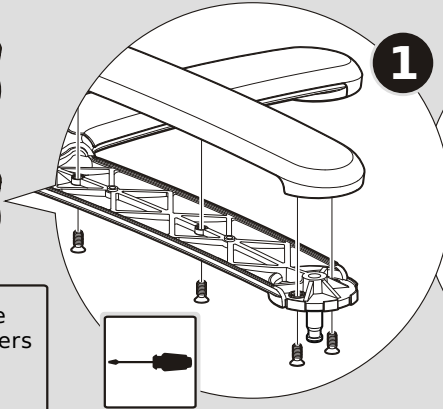
000 no finish specified

**Package Contains:**

- 4 × upper insert
- 4 × caster



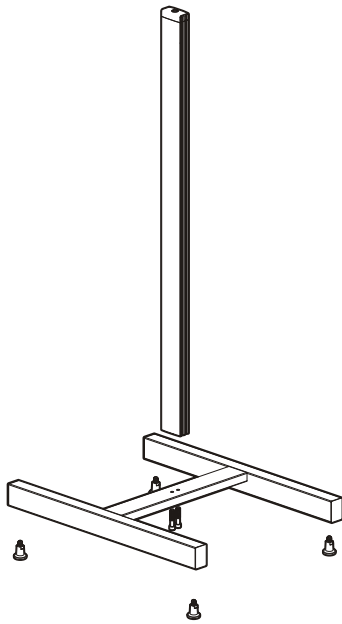
**i** Upon consultation, CUBIC can customise the cast base (B) upper inserts and casters with different colours, graphics, logos, finishes and more.



**Linx+ upright with H-base**

000 no finish specified

**i** upright finish:  
011 anodised  
  
base finish:  
010 matt silver

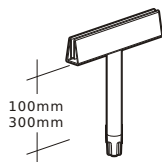


PR-LP-302

**Package Contains:**

- 1 × upright
- 1 × base
- 2 × upright screw
- 4 × glider

**kg <75kg**  
Per side

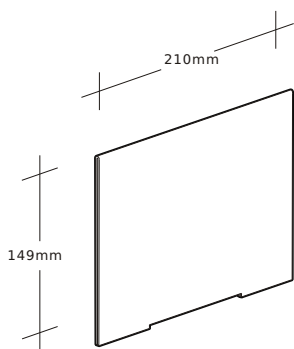
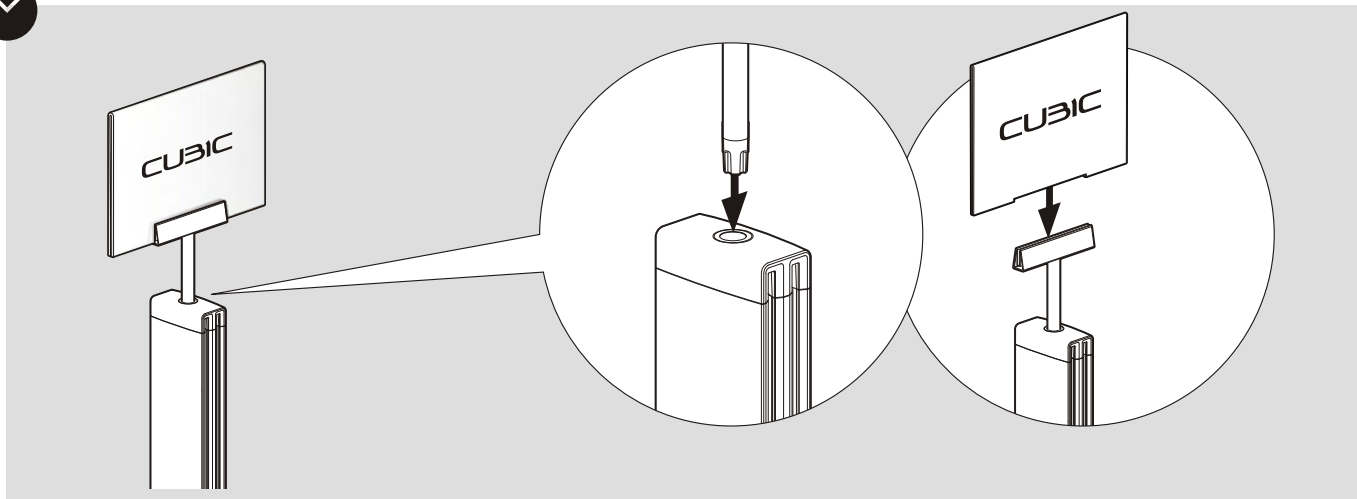


100mm PR-RA-141  
300mm PR-RA-142

**Sign holder bracket**

020 chrome  
021 satin chrome

**Package Contains:**  
1×bracket

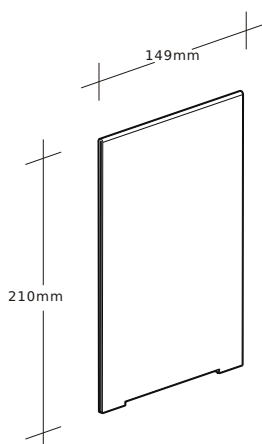


**A5L sign holder**

002 transparent

PR-RA-146

**Package Contains:**  
1×holder

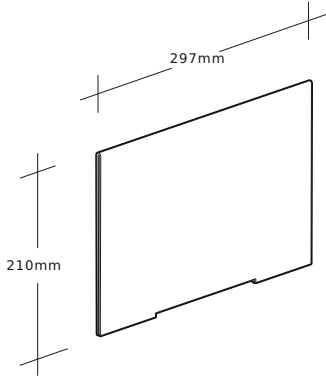


**A5P sign holder**

002 transparent

PR-RA-147

**Package Contains:**  
1×holder

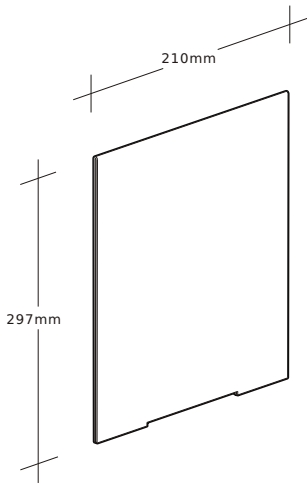


**A4L sign holder**  
002 transparent

PR-RA-148

**Package Contains:**  
1×holder

---

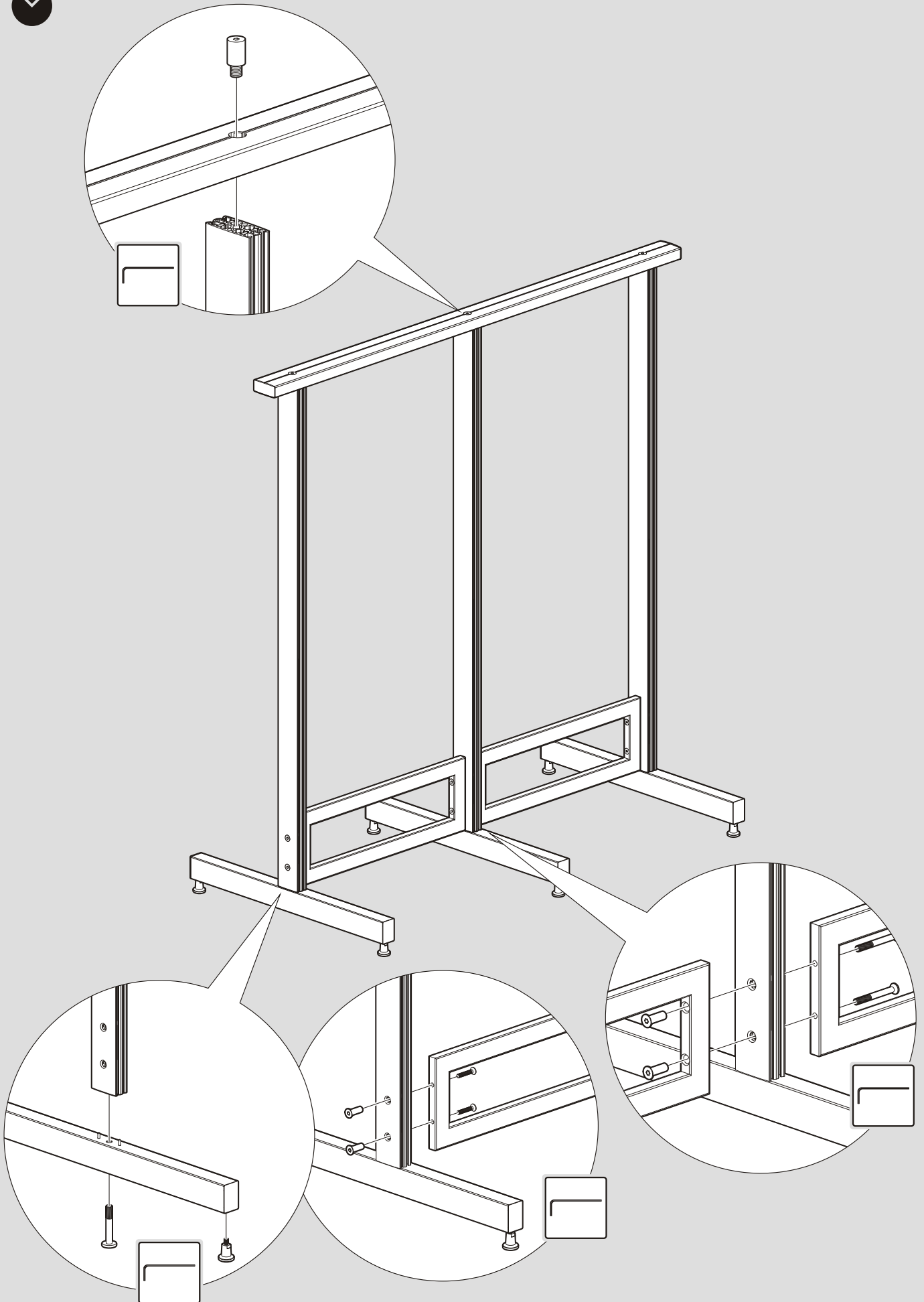


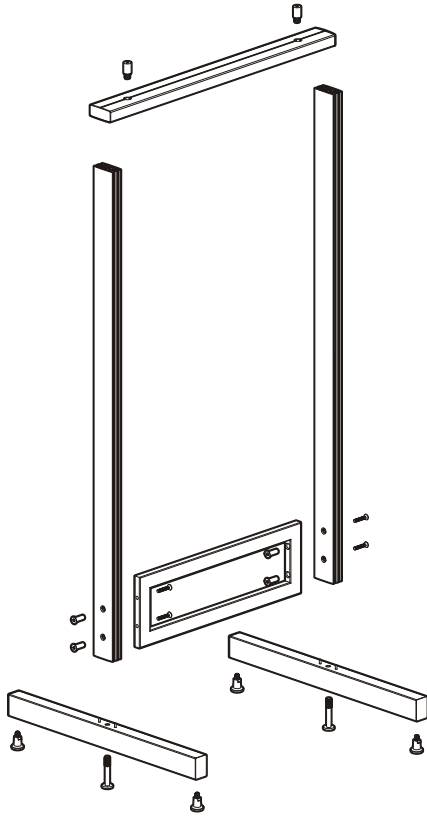
**A4P sign holder**  
002 transparent

PR-RA-149

**Package Contains:**  
1×holder







**1XA 625 Linx+ frame**  
000 no finish specified



upright finish:  
011 anodised

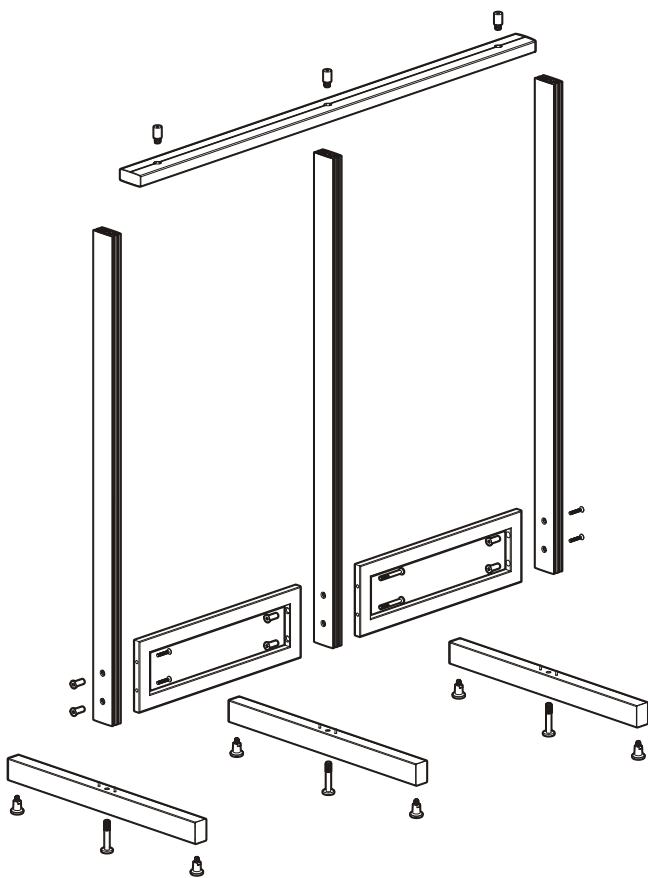
base finish:  
010 matt silver

**Package Contains:**

- 2×upright
- 2×foot
- 2×foot screw
- 1×connector bar
- 2×connector bar screw
- 1×brace
- 4×end profile screw & sleeve set
- 4×glider

**kg <100kg**  
Per side

PR-LP-303



**2XA 625 Linx+ frame**  
000 no finish specified



upright finish:  
011 anodised

base finish:  
010 matt silver

**Package Contains:**

- 3×upright
- 3×foot
- 3×foot screw
- 1×connector bar
- 3×connector bar screw
- 2×brace
- 4×end profile screw & sleeve set
- 2×mid profile screw & sleeve set
- 6×glider

**kg <150kg**  
Per side

PR-LP-304

**3×A 625 Linx+ frame**  
000 no finish specified



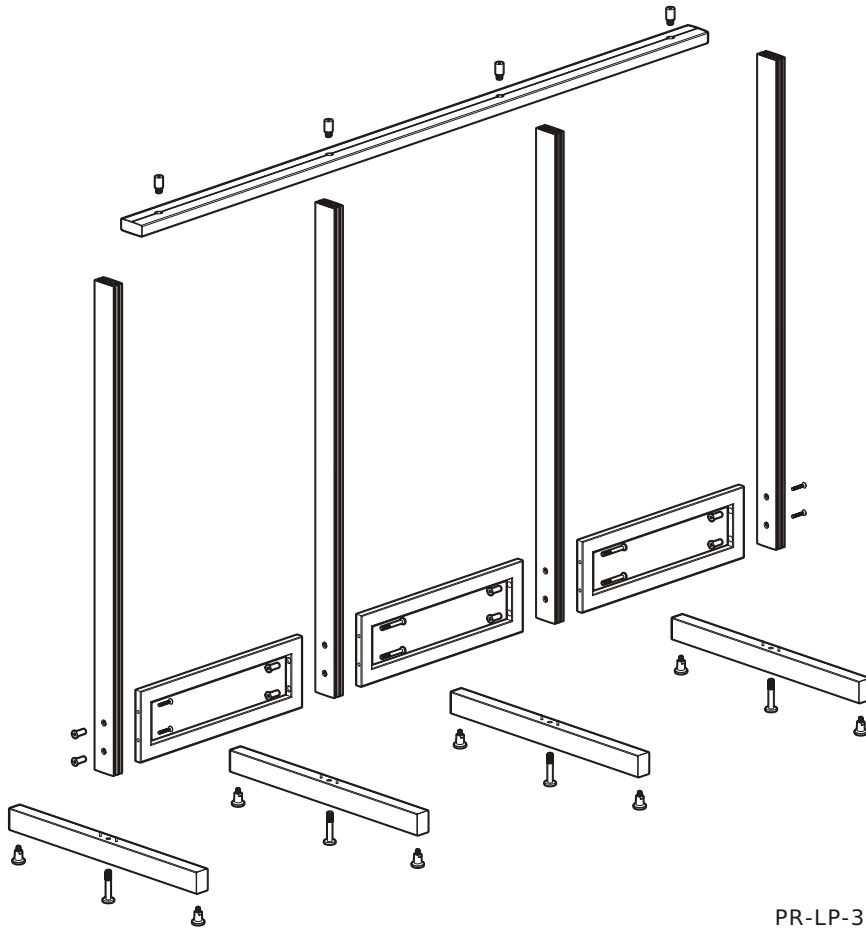
upright finish:  
011 anodised

base finish:  
010 matt silver

**Package Contains:**

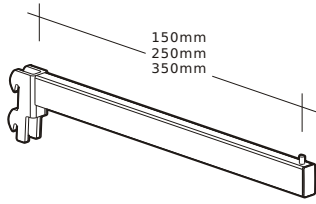
- 4×upright
- 4×foot
- 4×foot screw
- 1×connector bar
- 4×connector bar screw
- 3×brace
- 4×end profile screw & sleeve set
- 4×mid profile screw & sleeve set
- 8×glider

**2 kg <200kg**  
Per side



PR-LP-305





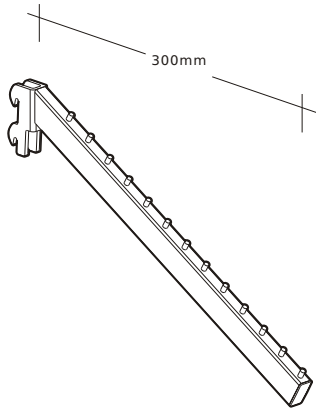
150mm PR-TR-325  
 250mm PR-TR-326  
 350mm PR-TR-327

**V4 dual straight front arm  
 (30x15mm)**

020 chrome  
 021 satin chrome

**Package Contains:**  
 1x arm

**kg <25kg**  
 Per arm



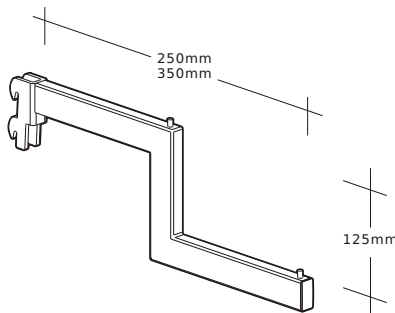
PR-TR-329

**V4 dual angled front arm  
 (30x15mm)**

020 chrome  
 021 satin chrome

**Package Contains:**  
 1x arm

**kg <25kg**  
 Per arm



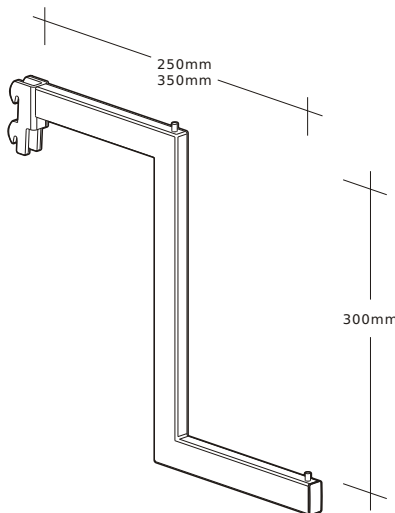
250mm PR-TR-323  
 350mm PR-TR-321

**V4 dual stepped front arm  
 (30x15mm)**

020 chrome  
 021 satin chrome

**Package Contains:**  
 1x arm

**kg <25kg**  
 Per arm



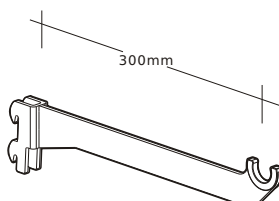
250mm PR-TR-324  
 350mm PR-TR-322

**V4 dual stretched stepped front  
 arm (30x15mm)**

020 chrome  
 021 satin chrome

**Package Contains:**  
 1x arm

**kg <25kg**  
 Per arm



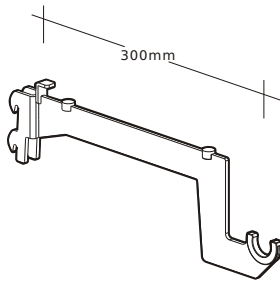
PR-TR-318

**V4 dual hang rail bracket**

010 matt silver  
 020 chrome  
 021 satin chrome

**Package Contains:**  
 1x bracket

**kg <20kg**  
 Per bracket



**V4 dual hang rail and 8mm glass / wooden shelf bracket**

010 matt silver  
020 chrome  
021 satin chrome

PR-TR-320

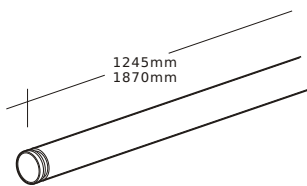
**Package Contains:**  
1xbracket

**<20kg**  
Per bracket

PDF [www.cu31c.com](http://www.cu31c.com)

Drawing number: 008.0017  
008.0025

Wooden shelf production drawing  
Glass shelf production drawing



**25mm hang rail**

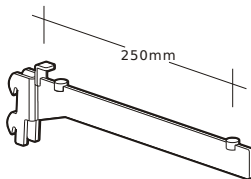
020 chrome  
021 satin chrome

**Package Contains:**  
1xrail

**Customised length**  
min 620mm max 1870mm

1245mm PR-TR-091  
1870mm PR-TR-333  
Customised length PR-TR-090

620-1245mm 2 brackets  
1245-1870mm 3 brackets



**V4 dual 8mm glass / wooden shelf bracket**

010 matt silver  
020 chrome  
021 satin chrome

PR-TR-319

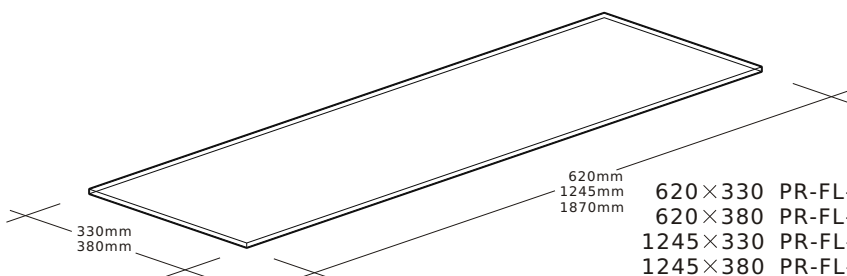
**Package Contains:**  
1xbracket

**<20kg**  
Per bracket

PDF [www.cu31c.com](http://www.cu31c.com)

Drawing number: 008.0017  
008.0025

Wooden shelf production drawing  
Glass shelf production drawing

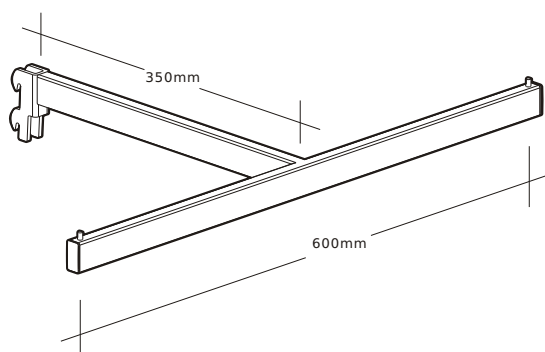


**8mm glass shelf**

040 clear  
041 frosted

620x330 PR-FL-315  
620x380 PR-FL-141  
1245x330 PR-FL-316  
1245x380 PR-FL-143  
1870x330 PR-FL-317  
1870x380 PR-FL-318

**Package Contains:**  
1xshelf



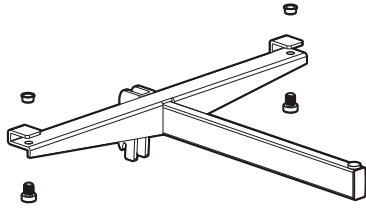
**V4 dual T-arm (30x15mm)**

020 chrome  
021 satin chrome

PR-TR-330

**Package Contains:**  
1xarm

**<25kg**  
Per arm



**V4 dual 8mm glass / wooden shelf holder**

020 chrome  
021 satin chrome

**Package Contains:**  
1×holder  
2×glass adapter  
2×screw

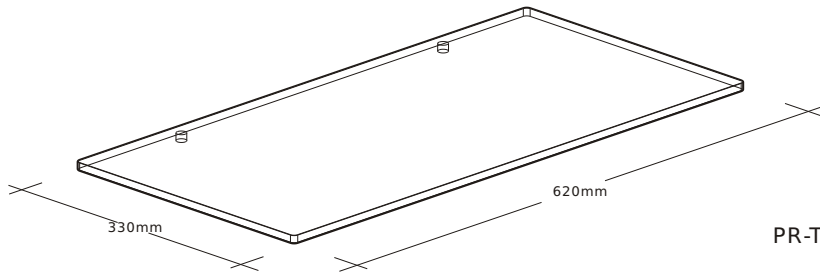
**kg <15kg**  
Per shelf

PR-TR-331

 [www.cu31c.com](http://www.cu31c.com)

Drawing number: 008.0027  
008.0028

Wooden shelf production drawing  
Glass shelf production drawing



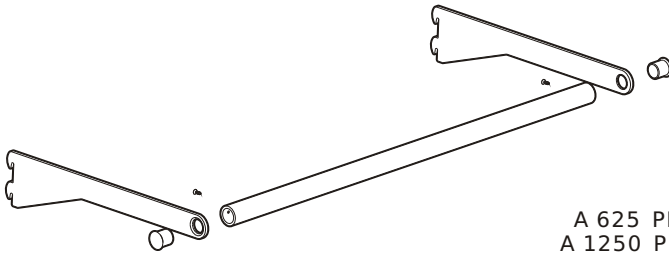
**8mm glass shelf for shelf holder**

040 clear  
041 frosted

**Package Contains:**  
1×shelf

PR-TR-355





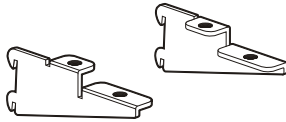
A 625 PR-TR-336  
A 1250 PR-TR-339

**V4 25mm hang rail set**

020 chrome  
021 satin chrome

**Package Contains:**  
1×rail  
1×L & R bracket set  
2×insert  
2×screw

**kg <50kg**  
Per rail



PR-TR-108

**V4 10mm glass shelf bracket set**

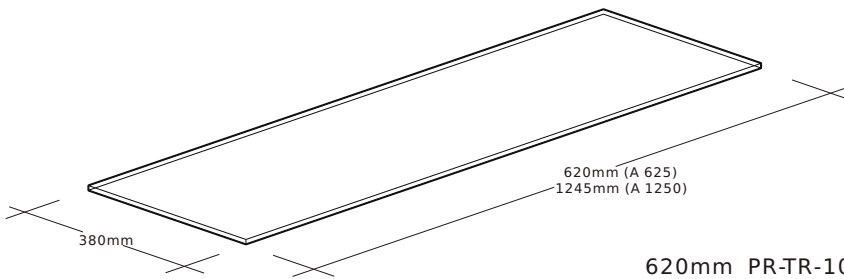
010 matt silver  
020 chrome  
021 satin chrome

**Package Contains:**  
1×L & R bracket set

www.cu31c.com

Drawing number: 008.0005

Shelf production drawing

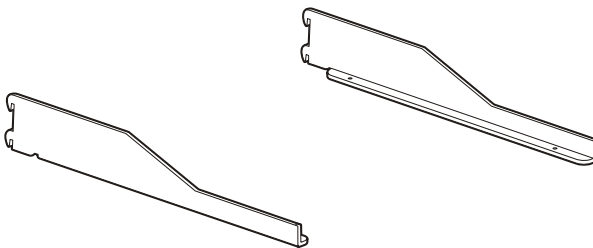


620mm PR-TR-109  
1245mm PR-TR-116

**10mm glass shelf**

040 clear  
041 frosted

**Package Contains:**  
1×shelf



PR-TR-110

**V4 wooden shelf bracket set with ends**

010 matt silver  
020 chrome  
021 satin chrome

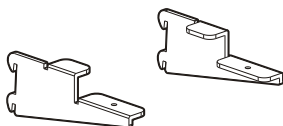
**Package Contains:**  
1×L & R bracket set

**kg <40kg**  
Per set

www.cu31c.com

Drawing number: 008.0006

Shelf production drawing



PR-TR-111

**V4 19mm wooden shelf bracket set**

010 matt silver  
020 chrome  
021 satin chrome

**Package Contains:**  
1×L & R bracket set

**kg <30kg**  
Per set

www.cu31c.com

Drawing number: 008.0006

Shelf production drawing



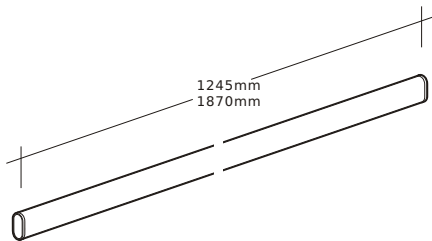
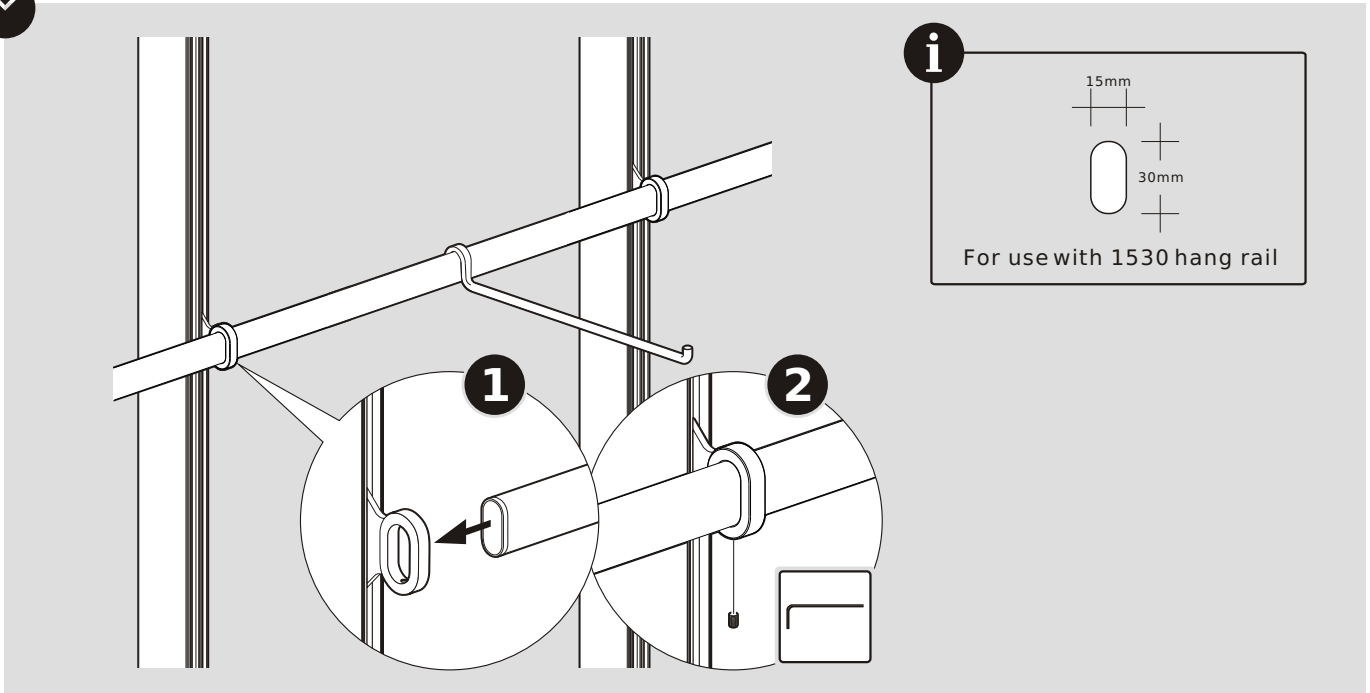
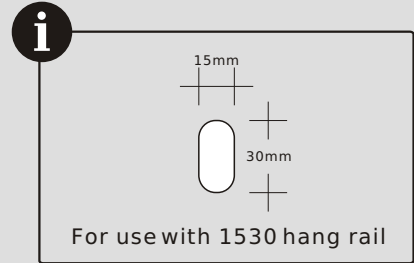
PR-TR-119

**V4 side hang rail bracket**

020 chrome  
021 satin chrome

**Package Contains:**  
1×bracket  
1×set screw

**<15kg**  
Per bracket



**1530 hang rail**

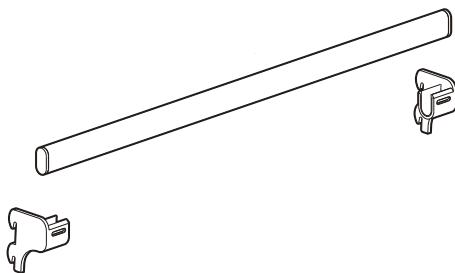
020 chrome  
021 satin chrome

**Package Contains:**  
1×rail

**Customised length**  
min 620mm max 1870mm

1245mm PR-TR-340  
1870mm PR-TR-341  
Customised length PR-TR-071

620-1245mm 2 brackets  
1245-1870mm 3 brackets



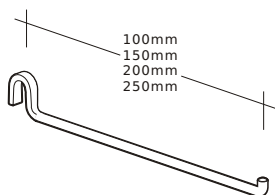
**V4-1530 hang rail set**

020 chrome  
021 satin chrome

**Package Contains:**  
1×rail  
1×L & R bracket set

**<30kg**  
Per rail

A 625 PR-TR-337  
A 1250 PR-TR-338



**8mm straight hook**

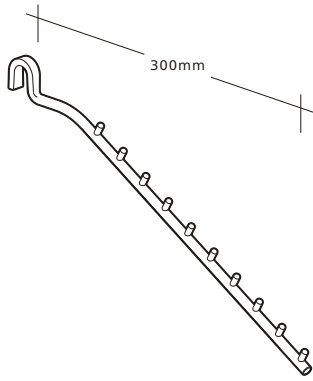
020 chrome  
021 satin chrome

**Package Contains:**  
1×hook

**<2kg**  
Per hook

100mm PR-TR-072  
150mm PR-TR-073  
200mm PR-TR-074  
250mm PR-TR-075

For use with 1530 hang rail



**8mm angled hook**

020 chrome  
021 satin chrome

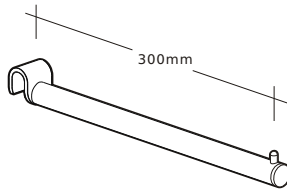
**Package Contains:**  
1xhook

**kg <2kg**  
Per hook

PR-TR-076



For use with 1530 hang rail



**20mm straight front arm**

020 chrome  
021 satin chrome

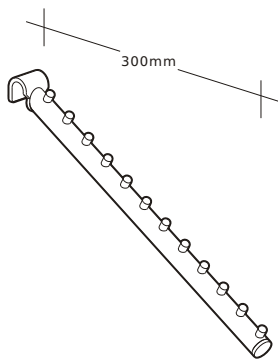
**Package Contains:**  
1xarm

**kg <15kg**  
Per arm

PR-TR-077



For use with 1530 hang rail



**20mm angled front arm**

020 chrome  
021 satin chrome

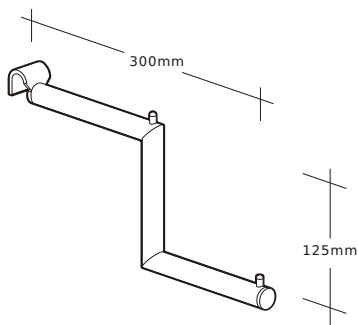
**Package Contains:**  
1xarm

**kg <15kg**  
Per arm

PR-TR-078



For use with 1530 hang rail



**20mm stepped front arm**

020 chrome  
021 satin chrome

**Package Contains:**  
1xarm

**kg <15kg**  
Per arm

PR-TR-079



For use with 1530 hang rail

